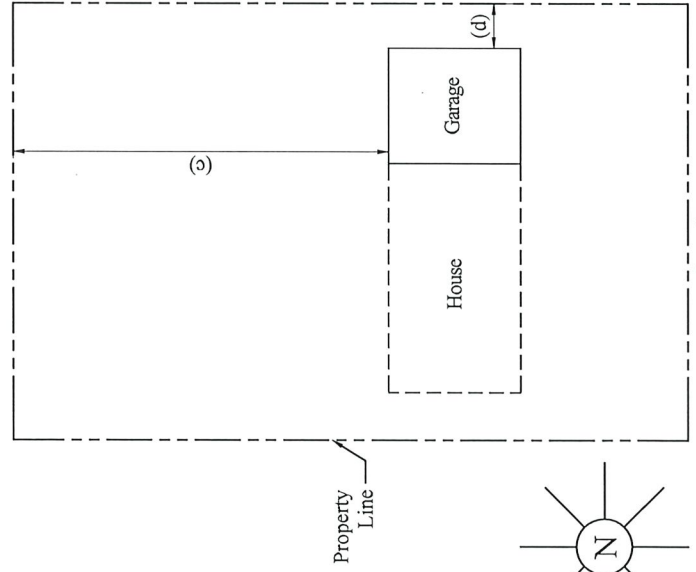
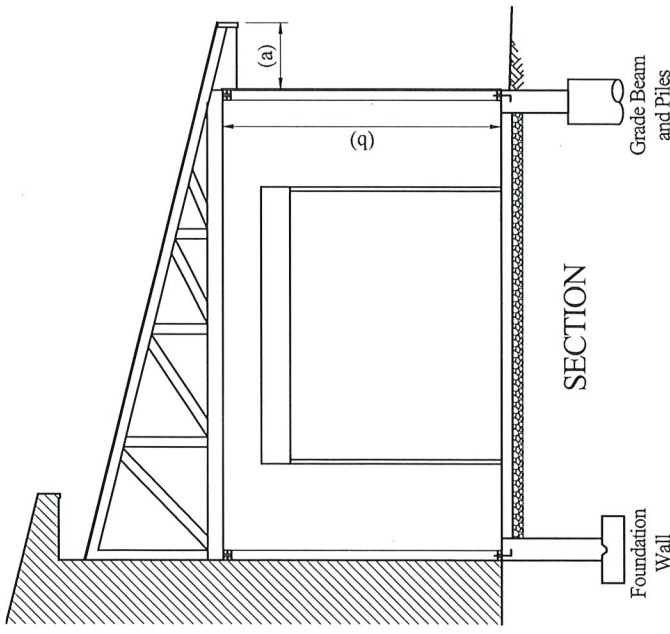


ATTACHED GARAGE WORKSHEET



Please complete the following:

ROOF:

- Roofing: Asphalt Shingles Metal Roofing Other: _____
- Roof Sheathing: Plywood Other: _____
- Thickness of Sheathing: 3/8" 7/16" Other: _____
- Roof Structure: Pre-engineered Other: _____
- *Provide additional information (size, spacing, ...etc.)*
- Spacing of Trusses: 16" o.c. 24" o.c.
- Roof Overhang (a): _____

FOUNDATION:

- Depth of Existing House Foundation: _____
- Foundation Wall: Height _____ x Thickness _____
Footing: Height _____ x Thickness _____

Grade Beam and Piles

- Grade Beam: Width _____ x Depth _____
Reinforcing _____ x _____
Diameter _____ x Depth _____
Reinforcing _____

SITE PLAN:

- Size of Proposed Garage: _____
- Indicate the following:
- Distance to Rear Property Line (c)
 - Distance to Side Property Line (d)
 - Location and size of all doors and windows (i.e. the walls in which they are installed)
 - All existing buildings on lot
 - Dimensions and shape of lot
If not rectangular, provide actual dimensions or provide separate site plan

NOTE: Soffit projections must not project to less than 0.45m from the property line.

WALLS:

- Exterior Siding: Vinyl Stucco Other: _____
 Hardboard Metal
- Air Barrier: House Wrap Building Paper
- Wall Sheathing: OSB Plywood
- Thickness of Sheathing: 3/8" 1/2" Other: _____
- Wall Framing: 2x _____ @ _____ o.c. 16" o.c. 24" o.c.
- Height of Exterior Walls (b): _____
- Wall Anchorage: 3/8" Bolts 1/2" Bolts

Spacing of Bolts: _____

Lintel Size and Number of Plies for: _____

- Man Door(s): 2 3 - 2x _____
- Window(s): 2 3 - 2x _____
- Size of Window: _____ x _____
- Overhead Door(s): 2 3 - 2x _____
- Size of Overhead Door: _____ x _____

INTERIOR FINISHES:

- Will the garage:
- have insulation installed Yes No
 - have vapour barrier installed Yes No
 - have interior finishes installed Yes No
 - have any plumbing fixtures Yes No
 - be heated Yes No

DOOR (INTO HOUSE):

- Weather stripped
- Self-closer
- Deadbolt Lock
- Blocked at lock-height to frame
- Hinges secured to solid wood frame
- No operable windows

NOTE: Air duct systems cannot be interconnected with other parts of dwelling unit.

Owner's Name: _____

Address: _____

Municipality: _____

Provided by: **MUNICODE SERVICES INC.**

SITE PLAN