

# DECK WORKSHEET

Please complete the following:

**DECK DESIGN:**

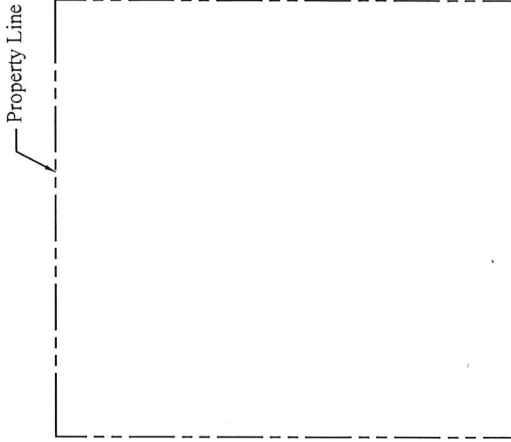
- (a) Deck Height: \_\_\_\_\_  
\*Guardrail required when deck height is > 600mm (24") above finished grade\*
- (b) Guardrail Height: \_\_\_\_\_
- (c) Cantilever: \_\_\_\_\_  
\*Maximum 600mm (24")\*
- (d) Maximum 100mm (4") spacing

**DECK CONSTRUCTION:**

Guardrail Construction (check all that apply)

- Glass  Vertical Spindles
  - Wood  Horizontal Spindles
  - Metal  Metal
- \*permitted when deck is < 4.2m (13.9')\*

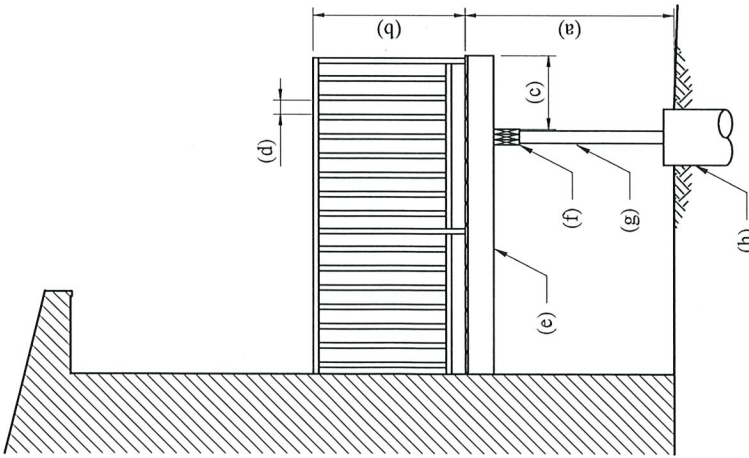
- (e) Joist Size: 2x \_\_\_\_\_  
Material: \_\_\_\_\_
- (f) Beam Size:  2  3  4 - 2x \_\_\_\_\_  
Material: \_\_\_\_\_
- (g) Column Size:  4x4  6x6  
Material: \_\_\_\_\_  
Number of Columns: \_\_\_\_\_
- (h) Foundation: \_\_\_\_\_  
 Deck Blocks
- Piles: Diameter \_\_\_\_\_ x Depth \_\_\_\_\_
- (i) Stringer Size: 2x \_\_\_\_\_  
Material: \_\_\_\_\_  
Number of Stringers: \_\_\_\_\_



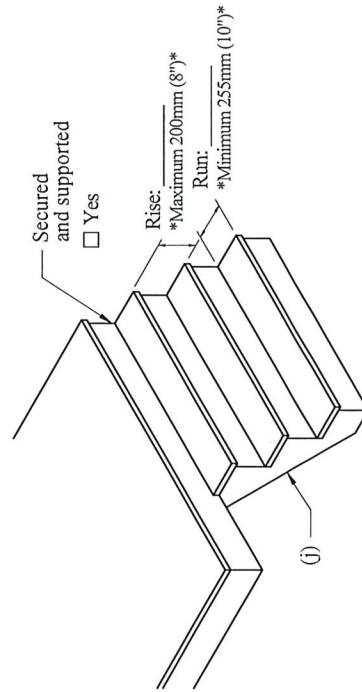
**SITE PLAN:**

Sketch house footprint and deck location and indicate the following:

- Overall dimensions of deck
- Distance to property lines
- Location of beams
- Location of columns



**DECK**



Secured and supported

Yes

Rise: \_\_\_\_\_

\*Maximum 200mm (8")\*

Riser: \_\_\_\_\_

\*Minimum 255mm (10")\*

NOTE: Handrail required when more than 3 risers.

Joist Size	JOIST SPANS			2 PLY BEAMS			3 PLY BEAMS		
	16" o.c.	24" o.c.	24" o.c.	2 x 6	2 x 8	2 x 10	Joist Length	2 x 8	2 x 10
2 x 6	9'-0"	8'-2"	8'-2"	6'-7"	8'-5"	10'-3"	8'-0"	9'-10"	12'-7"
2 x 8	11'-2"	10'-7"	10'-7"	6'-1"	7'-6"	9'-2"	10'-0"	9'-2"	11'-3"
2 x 10	13'-5"	12'-9"	12'-9"	5'-8"	6'-10"	8'-4"	12'-0"	8'-5"	10'-3"

Provided by:



Owner's Name: \_\_\_\_\_

Address: \_\_\_\_\_

Municipality: \_\_\_\_\_

**STAIR**